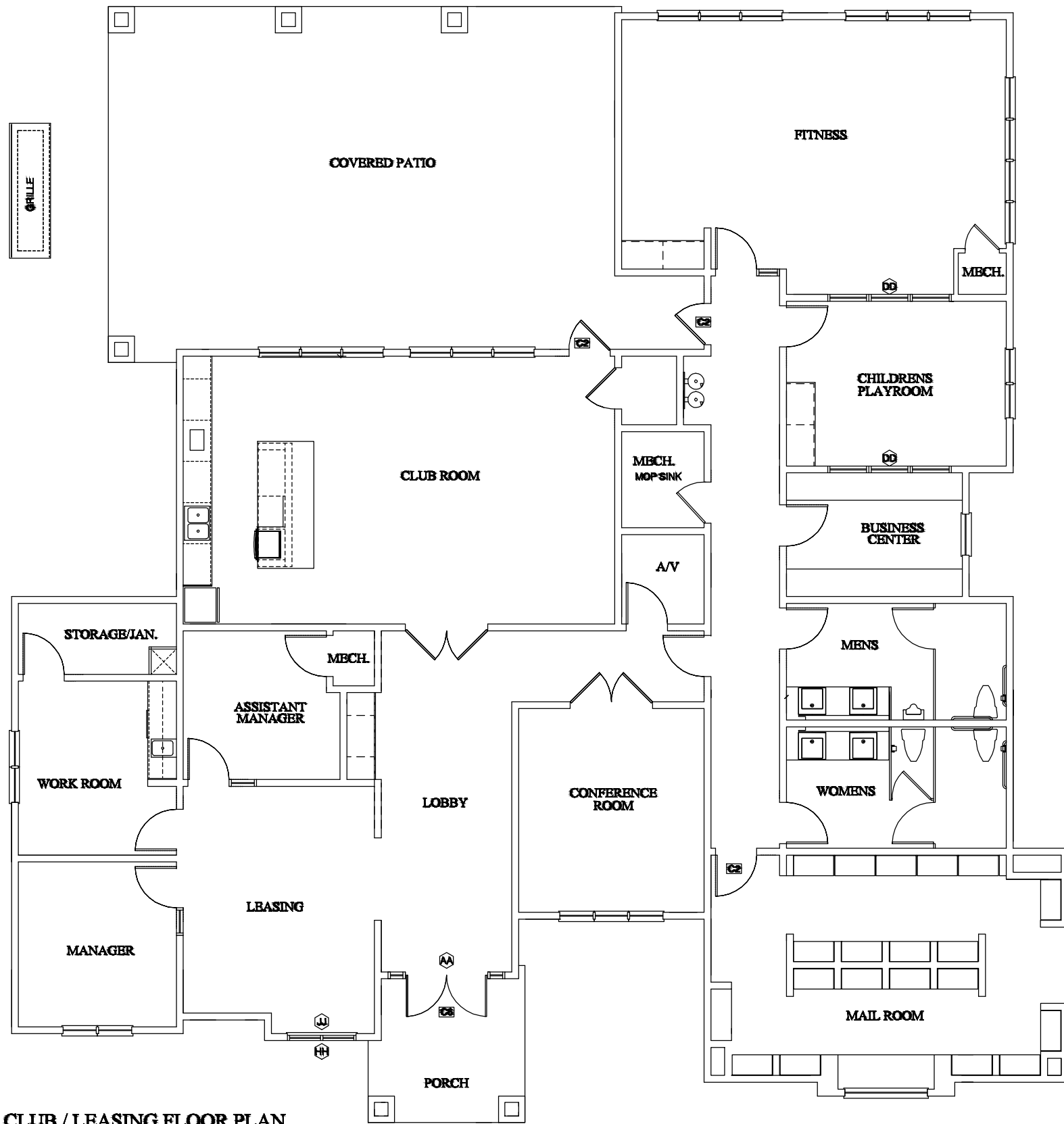


**FLOOR PLAN**

SCALE: NTS  
 ARCH REF: 1/A2-21  
 QUANTITY: TYPE AA - 01,  
 TYPE AA TOP - 01,  
 TYPE C2 - 03,  
 TYPE DD - 02,  
 TYPE HH - 01,  
 TYPE JJ - 01

**1 CLUB HOUSE 1st FLOOR**

**GLASS WALL SYSTEM(S):**  
 OLDCASTLE FG-5100T ALUMINUM STOREFRONT FRAMING  
 OLDCASTLE MSD-375 MEDIUM STILE DOORS ON FG-5100 FRAMING  
 OLDCASTLE FG-2000 ALUMINUM STOREFRONT FRAMING



**1 CLUB / LEASING FLOOR PLAN**

NO.	DATE	BY	DESCRIPTION
1	01/15/21	fp	First Submittal

**SIX FLAGS GLASS**  
 108 E AIRLINE RD VICTORIA, TX 77901  
 (W) 361-573-9612 (F) 361-573-2334

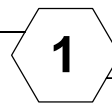
PROJECT: PALLADIUM PORT ARANSAS  
**BUILDING REMODEL**  
 ARCHITECT: HEDK ARCHITECTS  
 214-526-8878  
 PROJECT: BROWNSTONE CONSTRUCTION, Ltd  
 281-546-6806

PROJECT NO.	SFG-2010-03
DRAWN BY	fp
DATE	01/15/2021
SCALE	NTS
DRAWING	FLOOR PLANS
SHEET	P1



**ELEVATION**

SCALE: NTS  
 ARCH REF: 1/A2-21  
 1/A4-40  
 C6/A2-01  
 AA/A2-03  
 DOOR NUMBER(S): C6  
 QUANTITY: AA-1,  
 AA TOP-1,  
 HH-1,  
 JJ-1



**FRONT ELEVATION**

OLDCASTLE 5100T IR STOREFRONT  
 OLDCASTLE MSD-375, ON OLDCASTLE FG-5100 FRAME

DATE	BY	DESCRIPTION
01/15/21	fp	First Submittal

**SIX FLAGS GLASS**  
 108 E AIRLINE RD VICTORIA, TX 77901  
 (W) 361-573-9612 (F) 361-573-2334

PROJECT: PALLADIUM PORT ARANSAS  
**BUILDING REMODEL**  
 ARCHITECT: HEDK ARCHITECTS  
 214-526-8878  
 PROJECT: BROWNSTONE CONSTRUCTION, Ltd  
 381-546-4806

PROJECT NO.	SFG-2010-03
DRAWN BY	fp
DATE	01/15/2021
SCALE	NTS
DRAWING	ELEVATIONS
SHEET	E1



**ELEVATION**

SCALE: NTS  
 ARCH REF: 1/A2-21  
 1/A4-41  
 C2/A2-01  
 DOOR NUMBER(S): TYPE C2  
 QUANTITY: C2-01

**1**

**REAR ELEVATION**

OLDCASTLE MSD-375, ON OLDCASTLE FG-5100 FRAME

DATE	BY	DESCRIPTION
01/15/21	fp	First Submittal

**SIX FLAGS GLASS**  
 108 E AIRLINE RD VICTORIA, TX 77901  
 (W) 361-573-9612 (F) 361-573-2334

PROJECT: PALLADIUM PORT ARANSAS  
**BUILDING REMODEL**  
 ARCHITECT: HEDK ARCHITECTS  
 214-526-8878  
 PROJECT: BROWNSTONE CONSTRUCTION, Ltd  
 281-546-4806

PROJECT NO. <b>SFG-2010-03</b>	
DRAWN BY fp	DATE 01/15/2021
SCALE NTS	
DRAWING ELEVATIONS	
SHEET <b>E2</b>	



**ELEVATION**

SCALE: NTS  
 ARCH REF: 1/A2-21  
 2/A4-41  
 C5/A2-01  
 DOOR NUMBER(S): TYPE C5  
 QUANTITY: C2-01

**1**

**SIDE ELEVATION**

OLDCASTLE MSD-375, ON OLDCASTLE FG-5100T FRAME

NO.	DATE	BY	DESCRIPTION
1	01/15/21	fp	First Submittal

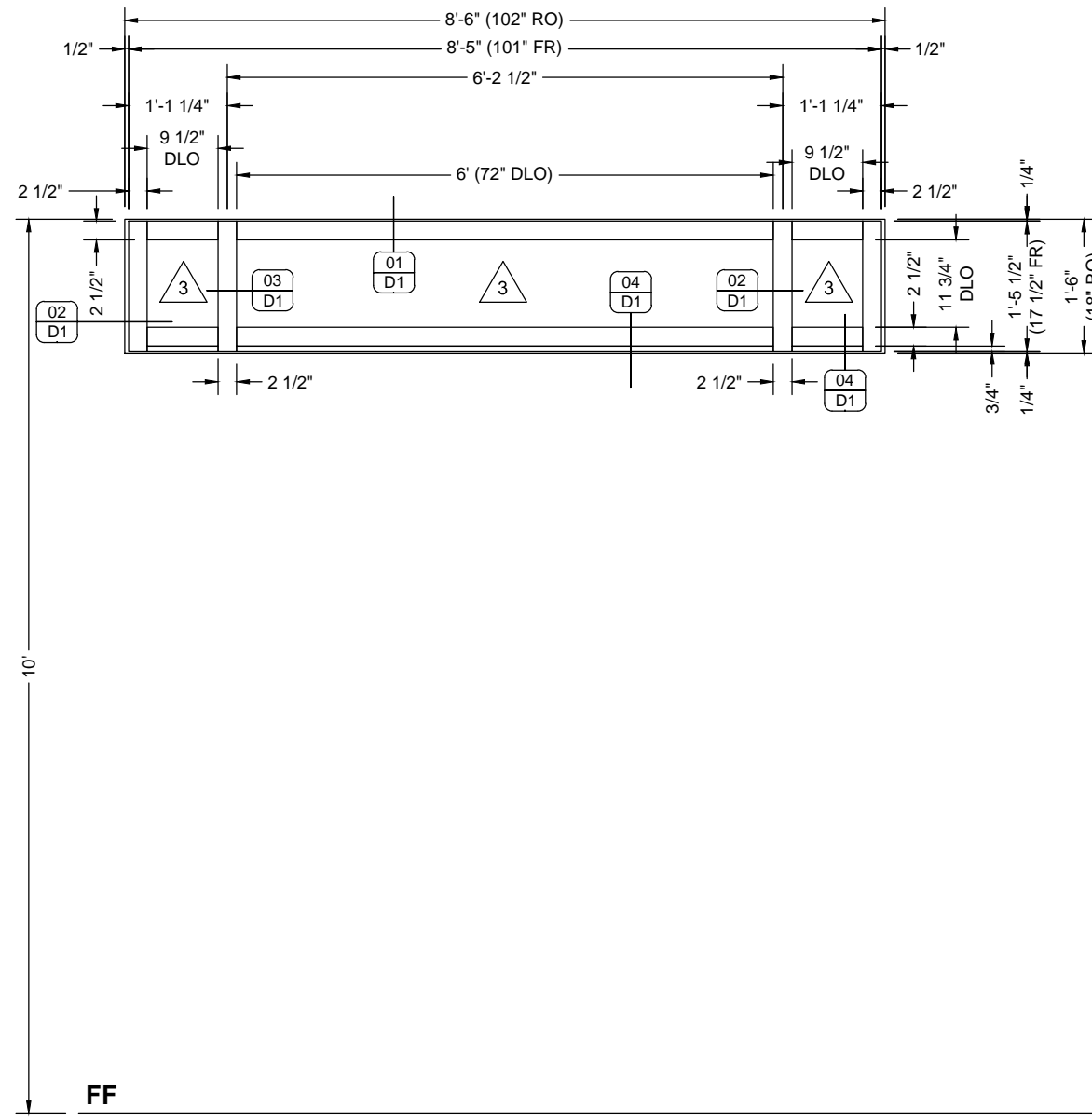
**SIX FLAGS GLASS**  
 108 E AIRLINE RD VICTORIA, TX 77901  
 (W) 361-573-9612 (F) 361-573-2334

PROJECT: PALLADIUM PORT ARANSAS  
**BUILDING REMODEL**  
 ARCHITECT: HEDK ARCHITECTS  
 214-526-8878  
 PROJECT: BROWNSTONE CONSTRUCTION, Ltd  
 281-546-4806

PROJECT NO. <b>SFG-2010-03</b>	
DRAWN BY <b>fp</b>	DATE <b>01/15/2021</b>
SCALE <b>NTS</b>	
DRAWING <b>ELEVATIONS</b>	
SHEET <b>E3</b>	







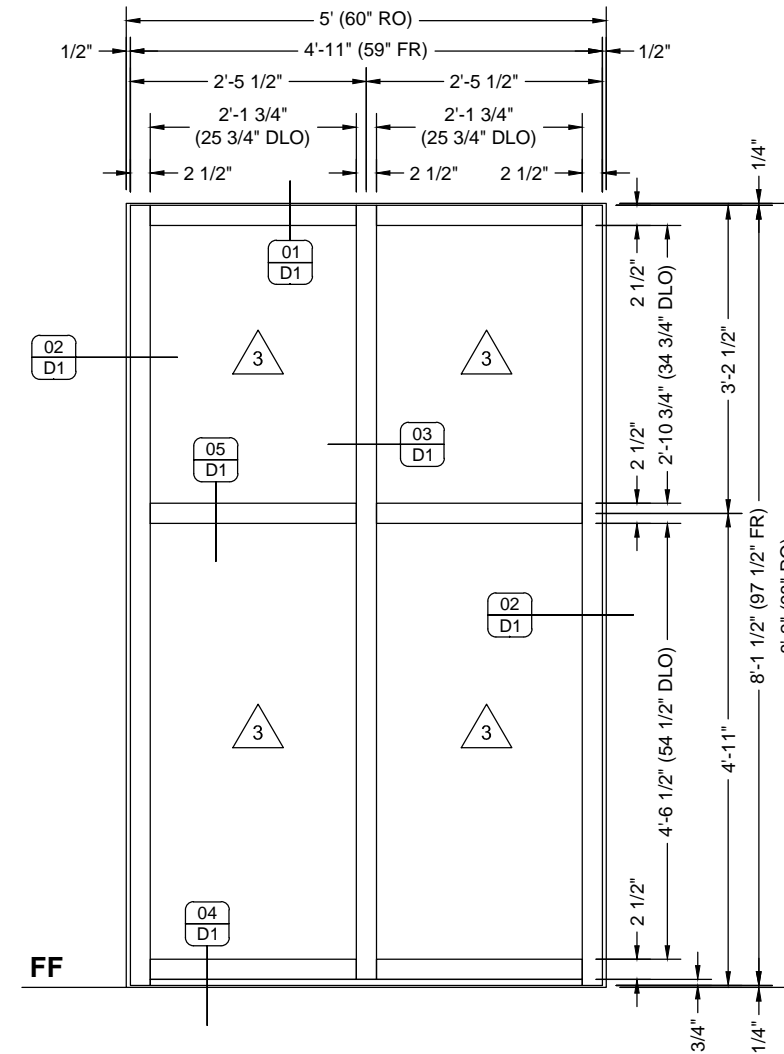
**ELEVATION**

QUANTITY: 01  
 SCALE: 1/2" = 1'-0"  
 ARCH REF: 1/A2-21  
 AA/A2-03  
 DOOR NUMBER(S): N/A



**EXT. STOREFRONT**

OLDCASTLE FG-5100T ALUMINUM  
 STOREFRONT FRAMING



**ELEVATION**

QUANTITY: 01  
 SCALE: 1/2" = 1'-0"  
 ARCH REF: 1/A2-21  
 1/A4-40  
 HH/A2-03  
 1/A2-27  
 12/A7-40  
 2/A7-40  
 16/A7-40  
 DOOR NUMBER(S): N/A



**EXT. STOREFRONT**

OLDCASTLE FG-5100T ALUMINUM  
 STOREFRONT FRAMING

NO.	DATE	BY	DESCRIPTION
1	01/15/21	fp	First Submittal

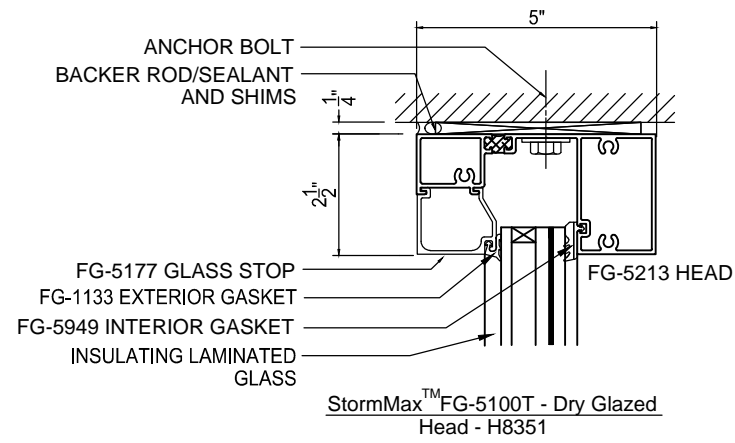
**SIX FLAGS GLASS**  
 108 E AIRLINE RD VICTORIA, TX 77901  
 (W) 361-573-9612 (F) 361-573-2334

PROJECT: PALLADIUM PORT ARANSAS  
**BUILDING REMODEL**  
 ARCHITECT: HEDK ARCHITECTS  
 214-526-8878  
 PROJECT: BROWNSTONE CONSTRUCTION, Ltd  
 281-546-4806

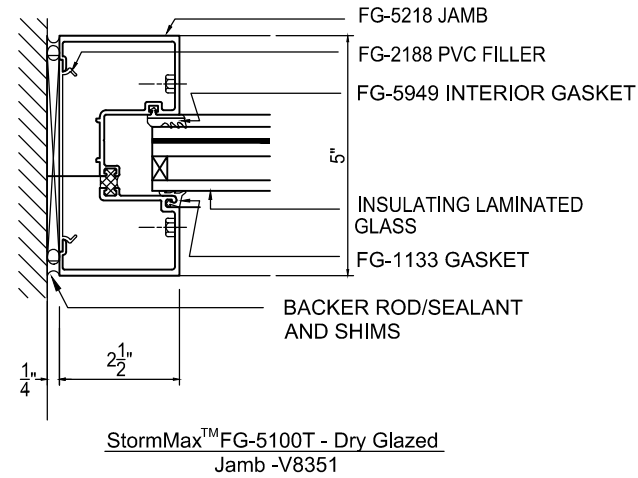
PROJECT NO.	SFG-2010-03
DRAWN BY	fp
DATE	01/15/2021
SCALE	1/2" = 1'-0"
DRAWING	ELEVATIONS
SHEET	E6



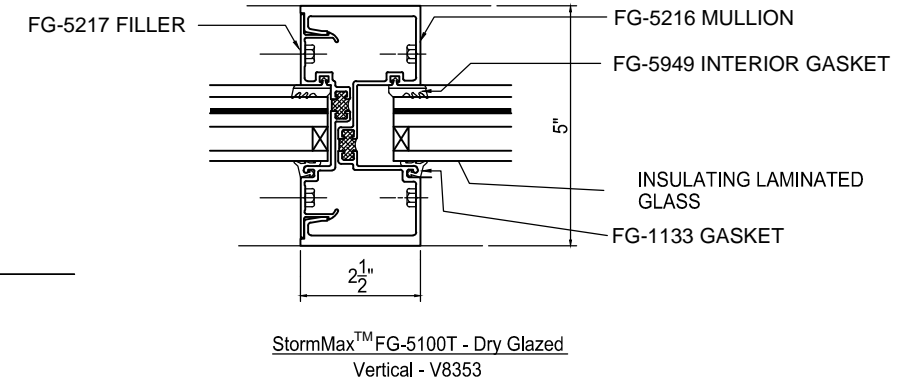




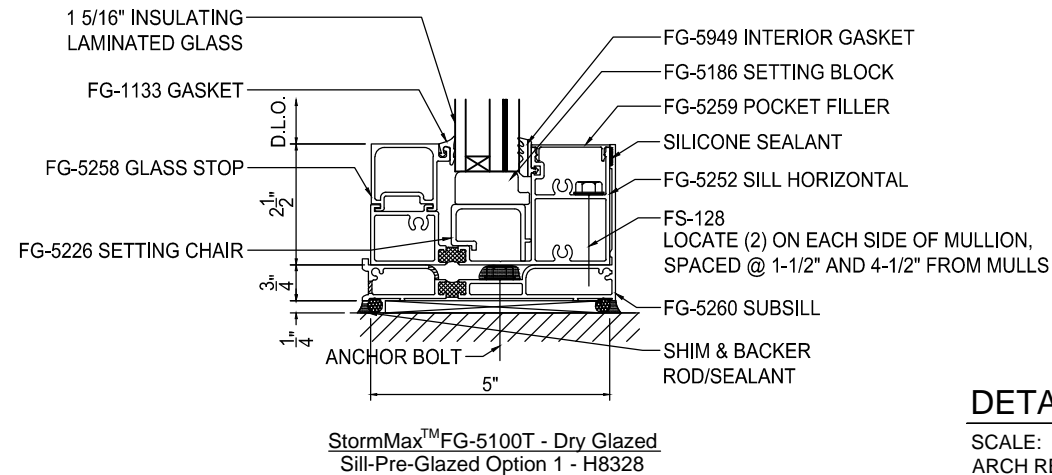
**DETAIL 01 HEAD**  
 SCALE: 3" = 1'-0"  
 ARCH REF: N/A  
 OLDCASTLE, SERIES FG 5100T ALUMINUM STOREFRONT FRAMING



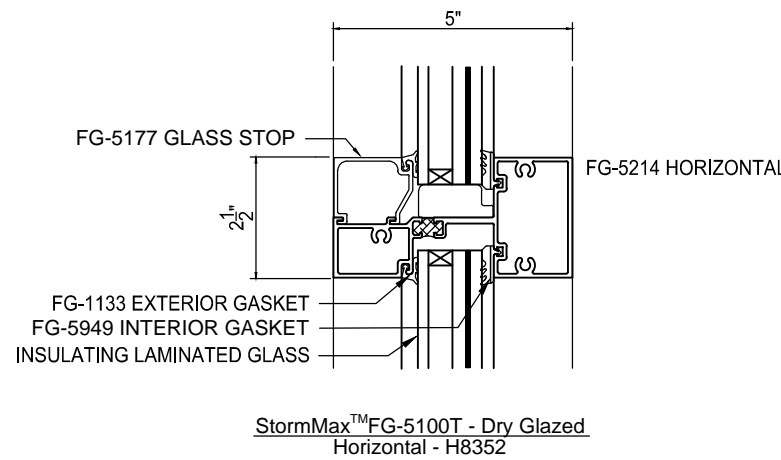
**DETAIL 02 JAMB**  
 SCALE: 3" = 1'-0"  
 ARCH REF: N/A  
 OLDCASTLE, SERIES FG 5100T ALUMINUM STOREFRONT FRAMING



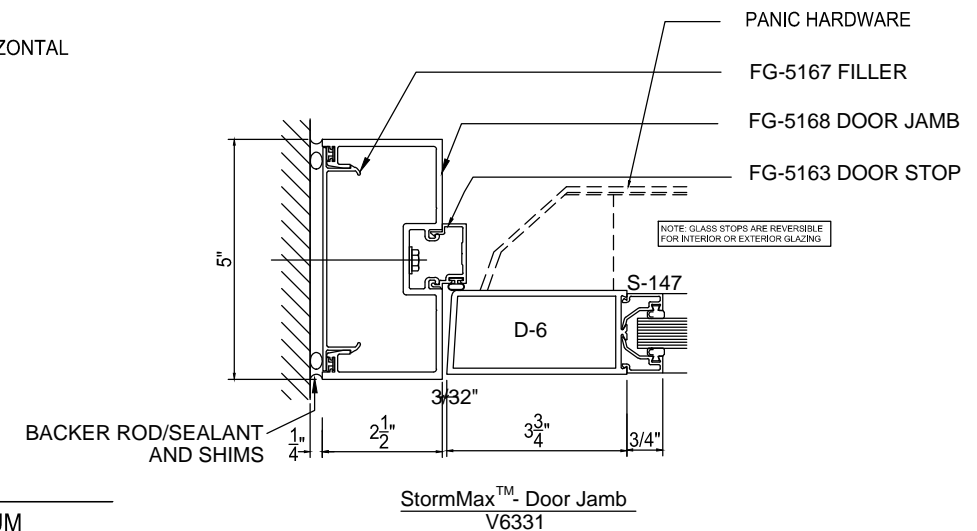
**DETAIL 03 VERTICAL MULLION**  
 SCALE: 3" = 1'-0"  
 ARCH REF: N/A  
 OLDCASTLE, SERIES FG 5100T ALUMINUM STOREFRONT FRAMING



**DETAIL 04 SILL**  
 SCALE: 3" = 1'-0"  
 ARCH REF: N/A  
 OLDCASTLE, SERIES FG 5100T ALUMINUM STOREFRONT FRAMING



**DETAIL 05 HORIZONTAL**  
 SCALE: 3" = 1'-0"  
 ARCH REF: N/A  
 OLDCASTLE, SERIES FG 5100T ALUMINUM STOREFRONT FRAMING



**DETAIL 06 DOOR JAMB AT STRIKE**  
 SCALE: 3" = 1'-0"  
 ARCH REF: N/A  
 OLDCASTLE SERIES STORMMAX MS-375 MEDIUM STILE ENTRANCE ON FG-5100 ALUMINUM STOREFRONT FRAMING

NO.	DATE	BY	DESCRIPTION
1	01/15/21	fp	First Submittal

**SIX FLAGS GLASS**  
 108 E AIRLINE RD VICTORIA, TX 77901  
 (W) 361-573-9612 (F) 361-573-2334

PROJECT: PALLADIUM PORT ARANSAS  
**BUILDING REMODEL**  
 ARCHITECT: HEDK ARCHITECTS  
 PROJECT: BROWNSTONE CONSTRUCTION, Ltd

PROJECT NO.	SFG-2010-03
DRAWN BY	fp
DATE	01/15/2021
SCALE	3" = 1'-0"
DRAWING	DETAILS
SHEET	D1